

# Hi-Fi Music Column Loudspeaker

## OCM304



### DESCRIPTION:

Heinrich's OCM304 revolutionary sound column redefines the way you experience sound in your meetings. With its sleek and compact design, it seamlessly blends into any room decor, eliminating the eyesore of traditional wall-mounted speakers. OCM304 takes sound performance to a whole new level, its advanced technology ensures crystal-clear audio and exceptional language reinforcement for enhanced voice clarity. No more straining to hear or missing important details during presentations. Experience the future of conference room audio with OCM304 sound column.

### FEATURES:

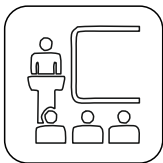
- The array acoustic column speaker adopts streamline design, beautiful and practical in appearance, suitable for sound reinforcement in various building spaces, and beautiful and beautiful in sound quality.
- The sound column speaker adopts an ABS plastic mixed glass fiber reinforced box, which is sturdy and durable.
- The circular waveguide hole in front and the damping port in front of the box form a unique low-frequency cardioid diffusion, with clear and pleasant high pitched sounds, natural and thick timbre, and full bass.
- The various elements of music are vividly expressed, and the timbre is delicately expressed.
- Switchable switch with constant voltage and resistance, suitable for long-distance transmission.
- UL94V-0 Flame retardant grade materials (Optional).
- UV waterproof dip coating, IPx4 waterproof grade, can be installed indoors and outdoors (Optional).
- It has aluminium mesh cover & rust proof box.
- Comes with leveller, quick release handle & Shockproof rubber pad installation accessories.

# Hi-Fi Music Column Loudspeaker

## SPECIFICATIONS:

<b>Model</b>	<b>OCM304</b>
<b>Description</b>	Line Array Column Speaker
<b>Enclosure Design</b>	Bass Reflex
<b>Loudspeaker</b>	4 x 3"
<b>Rated Power (RMS)</b>	100W
<b>Program Power</b>	200W
<b>Power Taps</b>	100W / 50W / 25W @ 8Ω
<b>Impedance</b>	100 Ω, 200Ω, 400Ω & 8Ω
<b>Sensitivity</b>	98dB SPL at 1W, 1M @1KHz
<b>Sound Pressure</b>	118dB SPL at 100W, 1M @1KHz
<b>Frequency Response</b>	150hz ~ 14KHz (-6dB); 80Hz ~ 20KHz (-10dB)
<b>Directivity Angle</b>	Horizontal 120° , Vertical 20°
<b>Connection</b>	Block Terminals
<b>Dimension (mm)</b>	530 (H) x 100 (W) x 150 (D)
<b>Weight</b>	5.38Kg
<b>Finish</b>	ABS + Fiber Glass
<b>Color</b>	Black
<b>Accessories (Included)</b>	Swivel Bracket, 5 x M6 Screws, Security Cable & Allen Wrench

## Application Area's :



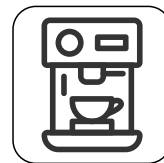
LECTURE HALL



Meeting room



Digital court



café



Concert hall



Religious Places



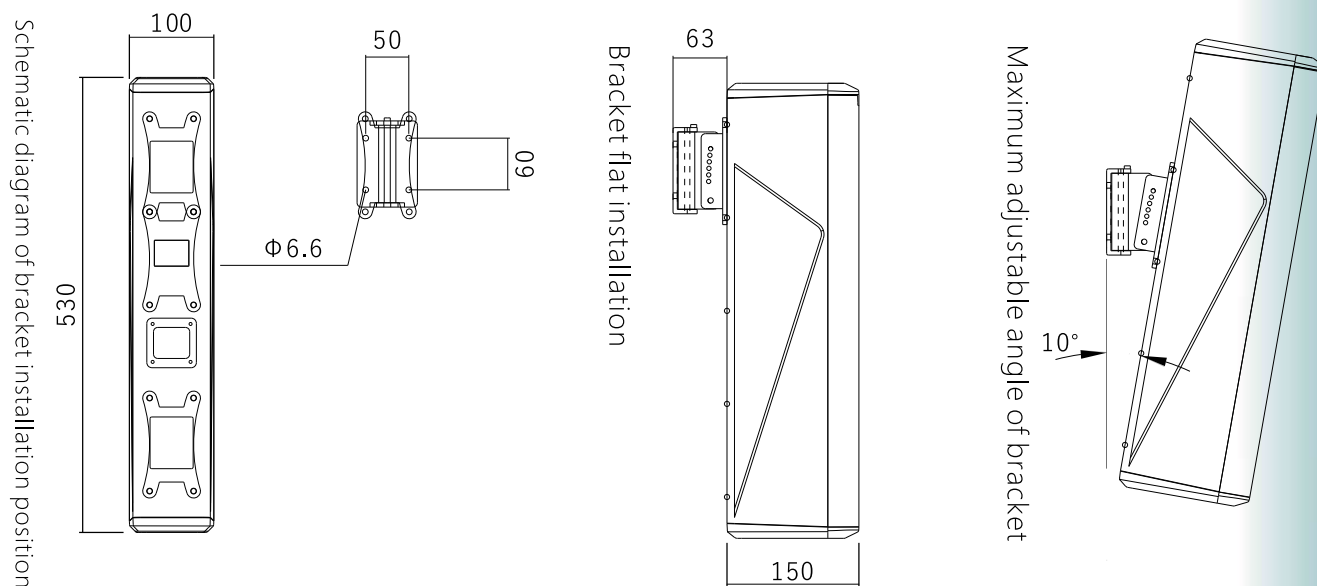
exclusive shop



sports venues

# Hi-Fi Music Column Loudspeaker

## Dimensions :



( unit : MM )

**Disclaimer:** As per our company policy one of the constant product improvements the right is there for reserved to modify the product specification without prior notice and the picture shown in the datasheet is a design base, the actual picture may vary.