

Weatherproof Telephone

H104-SC



DESCRIPTION:

The H100 series telephones are fully contained within a corrosion resistant cast aluminum weatherproof case and cold rolled steel faceplate with a door providing complete protection against dust and moisture ingress, resulting in a highly reliable product with a long MTBF. Extremely easy to install. The cable entrance is on the back of the phone to prevent from artificial damage, while the keypad is weather and vandal resistant. The H100 series Weatherproof Telephones are designed for use by the railways, power stations, the armed services and heavy industry which require very reliable telephony under adverse conditions.

Standard Analogue

As a standard analogue telephone, this unit provides basic telephone functions and can be connected to any standard two-wire telephone line, including analogue PABX lines and PSTN.

FEATURE:

- Standard Analogue phone or SIP phone
- Aluminum alloy die - casting body
- Vandal resistant metal button
- Hands free operation
- One button for emergency call
- Weather proof protection to Ip67
- Wall mounting, simple installation
- Phone line powered(Analogue)
- External power supply or PoE (SIP-VoIP)
- RJ45 port for SIP phone
- CE,FCC,ROSH,IP67,ISO9001 compliant

Weatherproof Telephone

SPECIFICATIONS:

SIP-VoIP TECHNICAL SPECIFICATIONS

Power Input	: 12-24V DC
Port	: WAN : 10/100Base-T RJ-45 for LAN, Auto MDIX LAN: 10/100Base-T RJ-45 for PC, Auto MDIX
Power Consumption	: Idle: 1.5W/ Active: 1.8W

VOICE FEATURES

- Support SIP 2.0 (RFC3261)
- Codec: G.711A/u, G.7231 high/low, G.729, G.722
- Echo cancellation: Support G.168 and hand-free can support 96ms
- Supports full duplex
- SIP support SIP domain, SIP authentication(none, basic,MD5), DNS name of server
- DTMF: SIP info, DTMF Relay, RFC2833
- Call control features: Flexible dial map, support hot-line

NETWORK FEATURES

- WAN/LAN: support Bridge mode
- Support static IP address
- Support DHCP get IP on WAN port
- Support VLAN
- Support web config

TECHNICAL SPECIFICATIONS

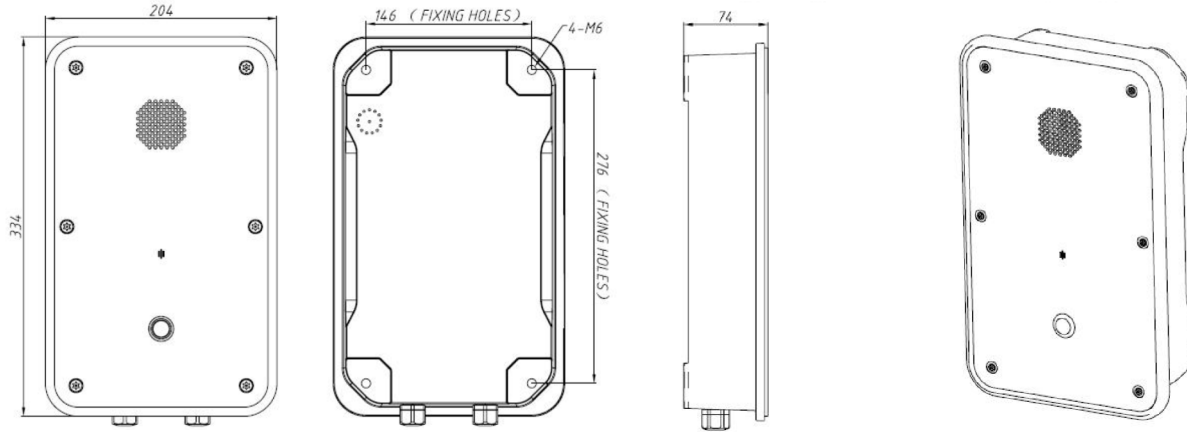
Casing Material	: Die cast aluminum body, cold rolled steel panceplate epoxy powder coated
Colors	: yellow, other colors to special order
Handset Material	: No handset
Keypad	: No Keypad
Temperature	: Operating: -30°C to +65°C , Storing: -40°C to +75°C
Weather Resistance	: IP67
Ringing Tone	: Shrill warble tone 80 dBA @ 1 metre typical(Analog), Shrill warble tone 90 dBA @ 1 metre typical(SIP)
Hook Switch	: No hook switch
Push Button	: Vandal resistant stainless steel button
M.T.B.F.	: Calculated to have an M.T.B.F. in excess of 50,000 hours using
Weight	: Up to 5 kg depending on option

ANALOGUE

Dialing	: MF (tone)
Power supply	: Drawn from telephone line
Lightning / Transients	: Protection to ITU-T k.21 enhanced levels
Programming	: Can be programmed remotely by DTMF tone or build-in keypad

Weatherproof Telephone

DIMENSIONS:



(Measured in mm)

APPROVALS



This mark indicates compliance with the:
Radio & Telecommunications Terminal Equipment
Directive
2004/108/EC



This mark indicates compliance with the:
FCC Part 15 Subpart B Class B