

Weatherproof Telephone

H104-SC-SIP



DESCRIPTION:

The H100 series telephones are fully contained within a corrosion resistant cast aluminium weatherproof case and cold rolled steel faceplate with epoxy powder coated providing complete protection against dust and moisture ingress, resulting in a highly reliable product with a long MTBF. Extremely easy to install. The cable entrance is on the back of the phone to prevent from artificial damage resistant.

The H100 series Weatherproof Telephones are designed for use by the highway, railways, power stations, the armed services and heavy industry which require very reliable telephony under adverse conditions.

FEATURE:

- Standard VoIP-SIP phone.
- Aluminium alloy die-casting body.
- Vandal resistant metal button.
- Hands free operation.
- One button for emergency call.
- Built-in induction loop for hard of hearing.
- Weather-proof protection to IP68.
- Wall mounting, simple installation.
- External power supply or PoE (SIP-VoIP).
- RJ45 port for SIP phone.
- CE, FCC, ROHS, IP68, ISO9001 compliant.

Weatherproof Telephone

SPECIFICATIONS:

SIP-VoIP TECHNICAL SPECIFICATIONS

Power Input : 12-24V DC
Port : WAN : 10/100Base-T RJ45 for LAN, Auto MDIX
LAN: 10/100Base-T RJ45 for PC, Auto MDIX
Power Consumption : Idle: 1.5W/ Active: 1.8W

VOICE FEATURES

- Support SIP 2.0 (RFC3261)
- Codec: G.711A/u, G.7231 high/low, G.729, G.722
- Echo cancellation: Support G.168 and hand-free can support 96ms
- Supports full duplex
- SIP support SIP domain, SIP authentication (none, basic, MD5), DNS name of server
- DTMF: SIP info, DTMF Relay, RFC2833
- Call control features: Flexible dial map, support hotline

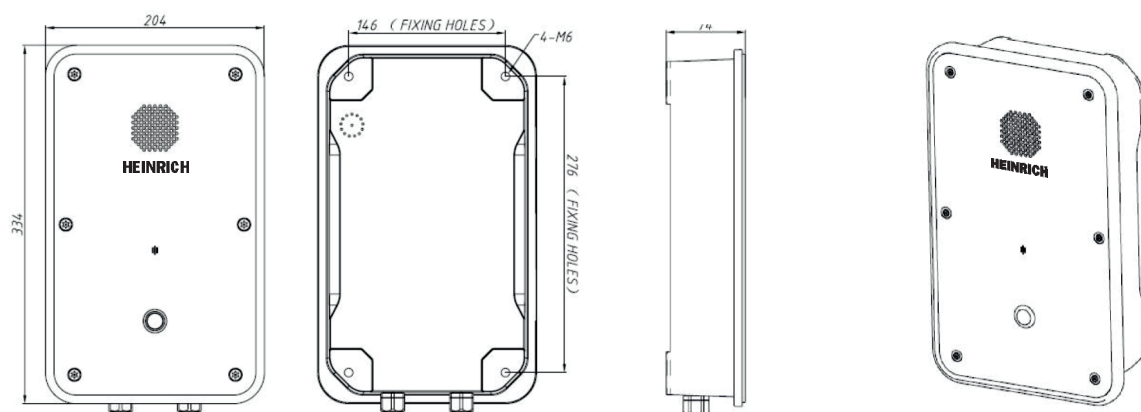
NETWORK FEATURES

- WAN/LAN: support Bridge mode
- Support static IP address
- Support DHCP get IP on WAN port
- Support VLAN
- Support web config
- Data Protocols: IPv4, TCP, UDP, ICMP, ARP, DNS and DNS SRV for SIP Signaling

TECHNICAL SPECIFICATIONS

Casing Material : Die cast aluminium body, cold rolled steel faceplate epoxy powder coated
Colors : Yellow, other colors as demand
Push button : Vandal resistant stainless steel button
Speaker : Built-in waterproof speaker
Temperature : Operating: -40°C to +70°C , Storing: -45°C to +75°C
Weather Resistance : IP68
Ringing Tone : Shrill warble tone 90 dBA @ 1 metre typical
Optical Transceiver : Optional as demand
M.T.B.F. : Calculated to have an M.T.B.F. in excess of 50,000 hours using
Weight : Up to 5 kg depending on option

DIMENSIONS:



(Measured in mm)