

# EXTRUDED ALUMINUM SOUND PROJECTORS SPEAKERS

PS10TM/20TM



## DESCRIPTION:

HEINRICH Loudspeaker PS20TM and PS10TM are attractive but rugged sound/music projectors for use in constant-voltage systems requiring quality audio. Each has a 5" 1/4 full-range twin-cone speaker. Units are rear-sealed via silicone rubber-like gaskets and gland nuts.

## APPLICATION:

The fashionable European-styled PS Series projects a strong precision-like appearance, while having a frequency response ideal for background music or voice communication.

The PS10TM/20TM is designed to be mounted indoors in malls, restaurants, sporting venues, parking facilities, transportation terminals, food centers and hotel / motel applications, as well in outdoor situations to best take advantage of its sealed housing and stainless steel hardware. It comfortably reproduces music or traditional paging in commercial facilities like shopping centers, country clubs, park areas, restaurants as well as industrial, institutional and military installations.

## PHYSICAL CONSTRUCTION:

The PS10TM/20TM uses a polypropylene cone for use in indoor & outdoor environments. Both offer long-term reliability and even coverage. Visually identical, both models have stainless steel hardware. They are finished in white with matching aluminum, 'U' brackets and aluminum grilles. Housings can be painted using epoxy paint.

The 'TM' version can be supplied as per BS5839 - Part 8 voice alarm compliant – this means a ceramic terminal and thermal fuse shall be fitted to comply with the mentioned standards.

## ACOUSTIC MODELING:

The PS20TM and PS10TM speakers support EASE, CATT and ULYSSES models for acoustical studies. This means the acoustic models can be created to simulate the sound quality and distribution prior to installation. As per BS5839 - Part 8, EN60849 and NFPA72, a minimum of 0.5 RaSTI is required to achieve the required intelligibility.

## APPROVALS & STANDARDS:

All HEINRICH loudspeakers have undergone tough testing procedures to ensure that all products can operate at their rated power in compliance with IEC60268 - Part 5. In addition, the fire-rated products have undergone actual fire tests to ensure compliance with BS5839 - Part 8. The PS10TM and PS20TM comply with BS5839 - Part 8, and are IP65 rated according to IEC60529.

## ARCHITECT & ENGINEERING SPECIFICATION:

The unit shall be HEINRICH model PS10TM or equal and approved. Assembly shall comprise of 130mm dual-cone loudspeakers and a factory-mounted 10-watt 100V line transformer.

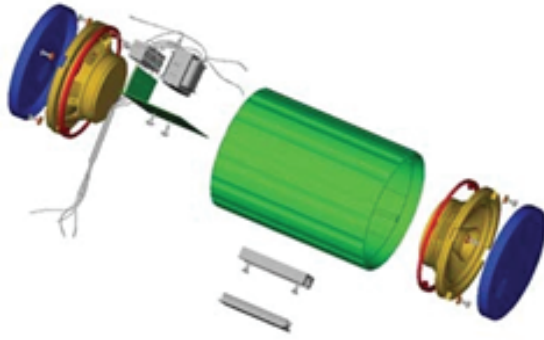
The loudspeaker enclosure shall be constructed of high-grade extruded aluminum with an epoxy-coated steel mesh grille that covers the drive unit. The mounting will be via a 'U'-shaped aluminum bracket. Cable entry shall be via a single gland, mounted on a removable plate at the rear of the loudspeaker.

The loudspeaker shall have a wide-angle dispersion of 180° @ 1kHz. The cone shall be a damped, high-compliance type with a smooth extended response over a range of 120Hz-18kHz. Sensitivity shall be a minimum of 91dB @ 1 meter, 1 watt test signal bandwidth 100Hz-10kHz.

The transformer shall be 100V line with 3dB power taps of 10, 5 and 2.5 watts to be clearly marked on the assembly.

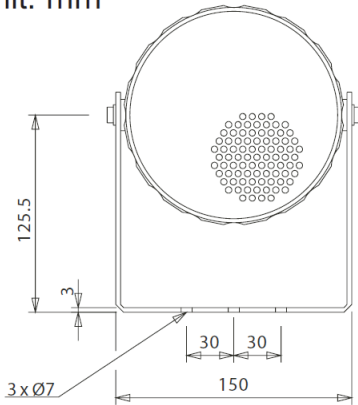
# EXTRUDED ALUMINUM SOUND PROJECTORS SPEAKERS

## 3D EXPLODED VIEW

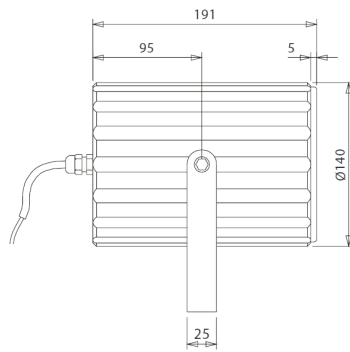


### Front View

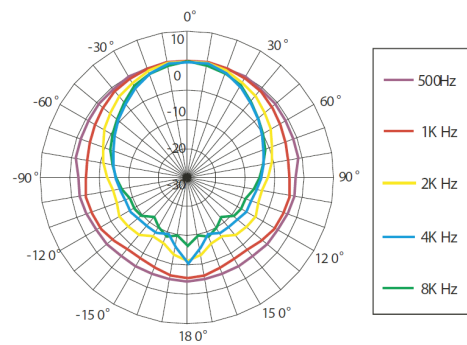
unit: mm



### Side View



### Polar Diagram PS10TM



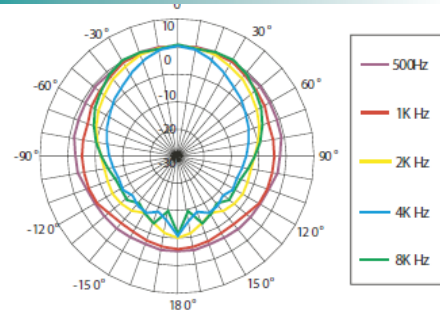
### Circuit Diagram PS10TM



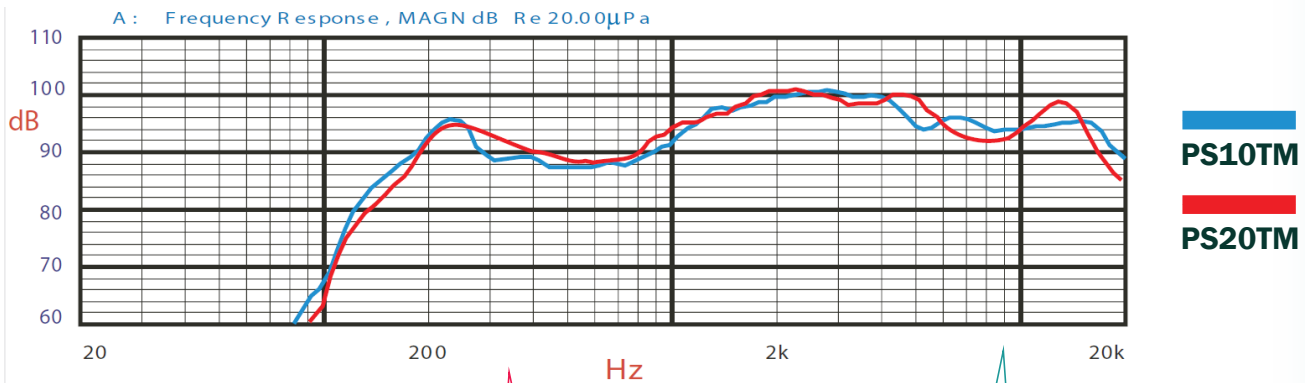
### Circuit Diagram PS20TM



### Polar Diagram PS20TM



## Frequency Response



# EXTRUDED ALUMINUM SOUND PROJECTORS SPEAKERS

## Technical Specification

	PS10TM	PS20TM
Rated power, Watts	10	20
Tappings 100 volt line, Watts	10/5/2.5	20/10/5
Transformer Impedance, Ohms, 100V	1k/2k/4k	500/1k/2k
Tappings 70.7 volt line, Watts	5/2.5/1.25	10/5/2.5
Driver impedance, Ohms	8	8
Effective frequency range, Hz (BS6840)	120 -18,000	110 - 16,000
S.P.L. @ 1m, 1 watt, dB, Test Signal Bandwidth 100Hz-10 kHz	91	88
S.P.L. @ Full power Octave Bandwidth, dB	101	101
Acoustic Power (dB-PWL@1 watt) 1 k/2kHz, dB	87 / 90	87/ 84
Dispersion at 1k/2kHz, Degrees	180 / 120	180 / 120
Directivity Axial Q factor, 1k/2kHz	2.80 / 5.90	2.6/ 5.9
Dimensions, diameter, mm	Ø140 x 191	Ø140 x 191
Net weight, Kgs	2	2.4
Colour/Finish	White RAL9016	White RAL9016
Material	Aluminium with Stainless steel hardware	Aluminium with Stainless steel hardware
Mounting	Aluminium U bracket	Aluminium U bracket

As per our company policy one of the constant Product improvement the right is there for reserved to modify product specifications without prior notice