

User Manual



OCM304

(Hi-Fi Music Column Loudspeaker)

Hi-Fi Music Column Loudspeaker

INTRODUCTION

Heinrich's OCM304 revolutionary sound column redefines the way you experience sound in your meetings. With its sleek and compact design, it seamlessly blends into any room decor, eliminating the eyesore of traditional wall-mounted speakers. OCM304 takes sound performance to a whole new level, Its advanced technology ensures crystal-clear audio and exceptional language reinforcement for enhanced voice clarity. No more straining to hear or missing important details during presentations. Experience the future of conference room audio with OCM304 sound column.

WARNING!

- Installation by qualified personnel only.
- Speakers must be connected to the corresponding line terminals of amplifier.
- Ensure that all speakers have the same polarity with respect of the each other.
- No naked flame source, such as lighted candles, should be places on the apparatus.

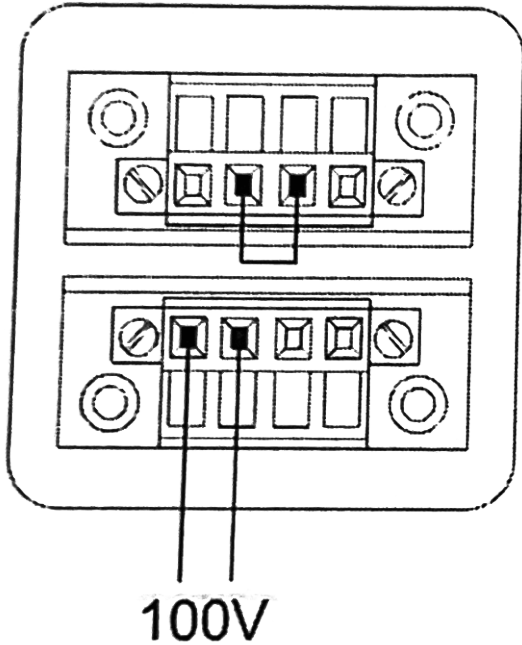
SPECIFICATIONS

Model	OCM304
Description	Hi-Fi Music Column Loudspeaker
Enclosure Design	Bass Reflex
Loudspeaker	4 x 3"
Rated Power (RMS)	100W
Program Power	200W
Power Taps	100W / 50W / 25W @ 8Ω
Impedance	100 Ω, 200Ω, 400Ω & 8Ω
Sensitivity	98dB SPL at 1W, 1M @1KHz
Sound Pressure	118dB SPL at 100W, 1M @1KHz
Frequency Response	150hz ~ 14KHz (-6dB); 80Hz ~ 20KHz (-10dB)
Directivity Angle	Horizontal 120° , Vertical 20°
Connection	Block Terminals
Dimension (mm)	530 (H) x 100 (W) x 150 (D)
Weight	5.38Kg
Finish	ABS + Fiber Glass
Color	Black
Accessories (Included)	Swivel Bracket, 5 x M6 Screws, Security Cable & Allen Wrench

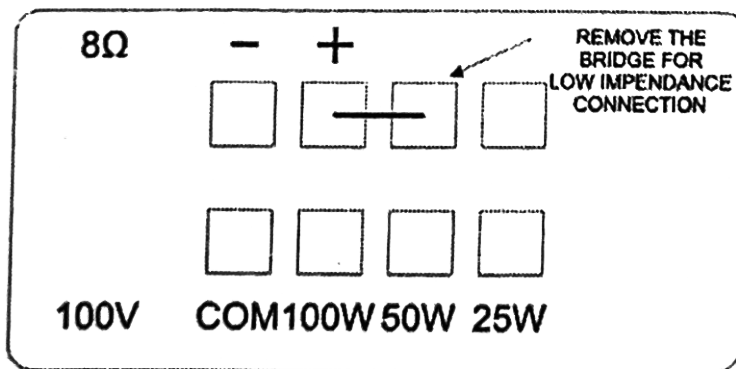
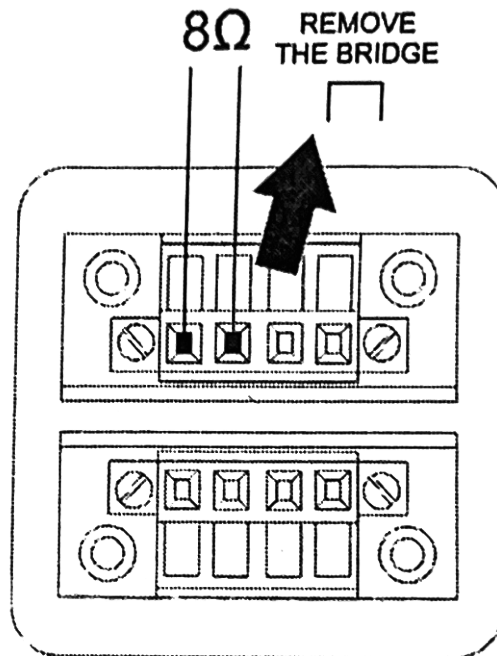
Hi-Fi Music Column Loudspeaker

CONNECTION

100V CONNECTION



8Ω CONNECTION



INSTALLATION GUIDE

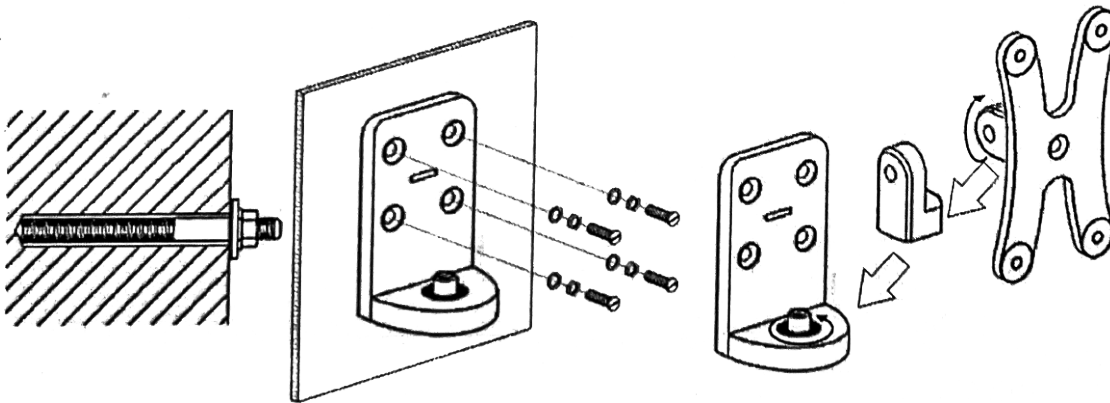
- ▶ Attached the I bracket to the wall. Attached the x bracket to the speaker. Join both bracket. Install the safety wire between the speaker and the wall.
- ▶ Connect the loudspeaker to the line. For 100V lines use the bottom terminals, select the power according to terminal. For low impedance lines use the top terminals, in this case remove the link cable between the centre terminals.

Hi-Fi Music Column Loudspeaker

INSTALLATION GUIDE

▶ Attached the I bracket to the wall. Attached the x bracket to the speaker. Join both bracket. Install the safety wire between the speaker and the wall.

▶ Connect the loudspeaker to the line. For 100V lines use the bottom terminals, select the power according to terminal. For low impedance lines use the top terminals, in this case remove the link cable between the centre terminals.



DIMENSIONS

