

# Pendant Loudspeaker (360 Degree Dispersion)

**IPS60/B**

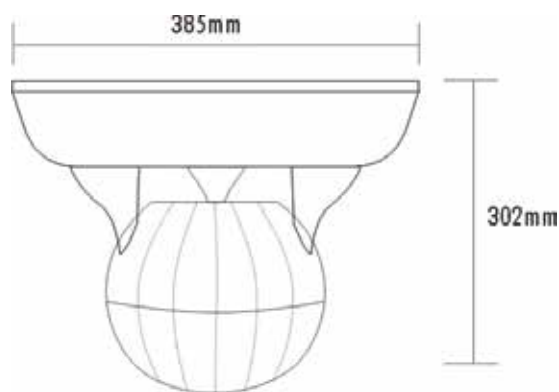


## FEATURE:

- ✓ Built-in 100v/70v transformer
- ✓ Pendant type loudspeaker for high roof applications
- ✓ Suitable for hotel lobby or cash desk use
- ✓ 360-degree sound wide dispersion angle
- ✓ 6" full range speaker driver
- ✓ Power taps at 7.5w-10w-15w-20w-30w-60w @100V
- ✓ ABS enclosure of black color
- ✓ With security ring lock to prevent from drop

## DESCRIPTION:

The IPS60/B is a pendant speaker built-in 70v/100v transformer. The 70v/100v transformer technique reduces line losses on longer distance and allows easy parallel connection of multiple loudspeakers. The built-in 6" full range speaker driver is designed of wide frequency response 100 -13kHz, the multiple power taps of 7.5W/10W/ 15W/ 20W/ 30W & 60W could meet different applications varies from room size and ambient noise surroundings. The ABS enclosure is of black color. Easy and secure wall mount installation through the supplied secured steel mounting ring kit. It is ideal choice for industrial and commercial applications in the outdoor area of train station, shopping mall, parking area and factory where background music and paging is needed.



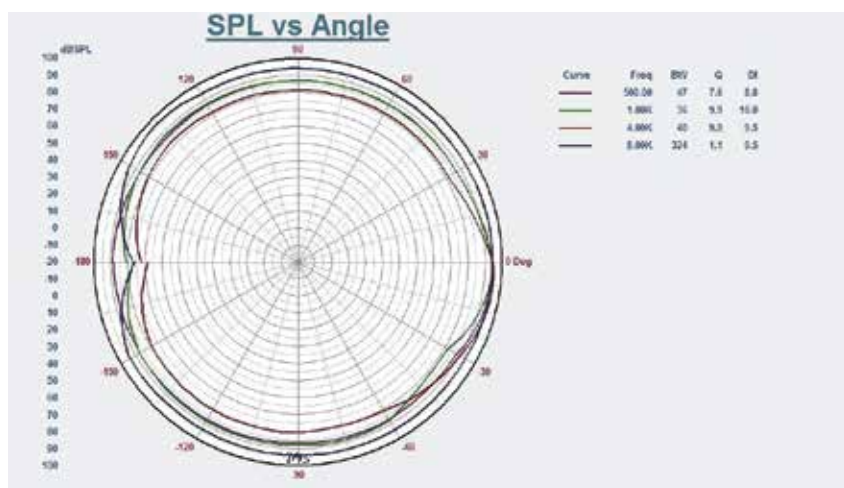
As per our company policy one of the constant Product improvement the right is there for reserved to modify product specifications without prior notice

# Pendant Loudspeaker (360 Degree Dispersion)

## SPECIFICATION:

<b>Model</b>	<b>IPS60/B</b>
Power Taps @100V	7.5W/ 10W/ 15W/ 20W/ 30W/ 60W
Power Taps @70V	3.75W/ 5W/ 7.5W/ 10W/ 15W/ 30W
Impedance	White: 1.3K $\Omega$ Red: 1K $\Omega$ Yellow: 670 $\Omega$ Brown: 500 $\Omega$ Blue: 330 $\Omega$ Green: 165 $\Omega$ Black: Com
SPL(1W/1M)	102dB
Max. SPL (Rated W/1M)	120dB
Frequency Response (-10dB)	100Hz-13KHz
Finish	Baffle: ABS, Black/White
Speaker Driver	6" x 1
Dimensions	385 x 385 x 302mm
Weight	3.4Kg
Mounting	Hook

## Direction Diagram:



## Frequency Response:



As per our company policy one of the constant Product improvement the right is there for reserved to modify product specifications without prior notice