

HDA/7200/10000 4 Channel Class H Power Amplifier

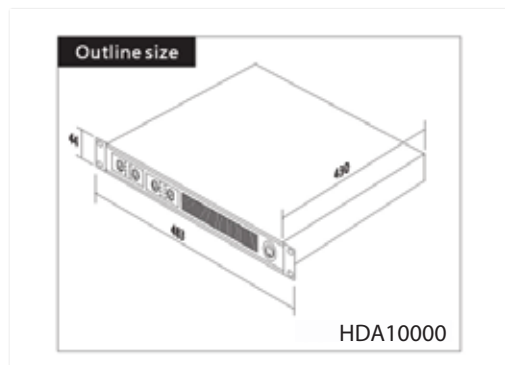
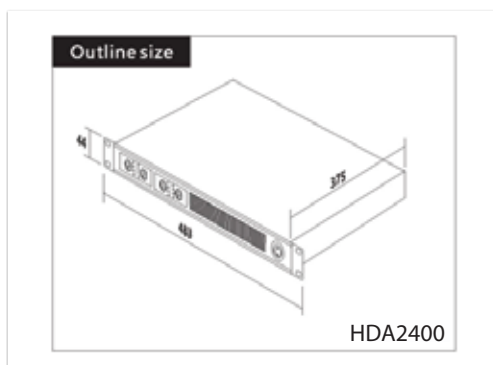
HDA10000



FEATURE:

- 1U Rack design with small dimension, applicable for Mobile Performance and Fixed Installation.
- Modular design, each channel is fully separately and without any interference to other channels.
- Deploy the latest Class D Power Amplifier design technology, Guarantee the completeness of sound quality and deliver the big output power.
- High efficiency, Power Efficiency more than 85%, swiftly response, less interference for audio signal.
- Overload protection, Shortcircuit protection, DC protection, Temperature control protection.

DIMENSION:



As per our company policy one of the constant Product improvement the right is there for reserved to modify product specifications without prior notice

HDA/7200/10000 4 Channel Class H Power Amplifier

SPECIFICATION:

Model	DSQ2400	DSQ7200	DSQ10000
Channel	4	4	4
Output Power(All channels driven output power,, THD=1%)			
8Ω	350 W x 4	800 W x 4	1300 W x 4
4Ω	500 W x 4	1500 W x 4	2400 W x 4
2Ω	600 W x 4	1800 W x 4	2600 W x 4
Frequency Response	20Hz-20KHz, ±0.3dB		
(@8Ω)			
Slew rate	50V / us		
THD+N	<0.3%		
IMD-SMPTE	< 0.3%		
S/N rate	> 105dB		
Crosstalk	> 75dB		
Damping factor	> 800 (8Ω, 20Hz-200Hz)		
Input impedance	20K (bal) , 10K (unbal)		
(bal/unbal)			
Efficiency	> 85%		
Height	1U		
Product dimension(mm)	483x375x44mm	483x430x44mm	483x430x44mm
Pack dimension(mm)	530 x 530 x 90mm (W x D x H,mm)		
Net weight	7.5Kg	9.5Kg	10.5Kg
Gross weight	9.2Kg	11.2Kg	12.2Kg

As per our company policy one of the constant Product improvement the right is there for reserved to modify product specifications without prior notice