

Weatherproof Telephone

H104-SC-L-SIP



DESCRIPTION:

The H100 series telephones are fully contained within a corrosion resistant cast aluminum weatherproof case and cold rolled steel faceplate with epoxy powder coated providing complete protection against dust and moisture ingress, resulting in a highly reliable product with a long MTBF. Extremely easy to install. The cable entrance is on the back of the phone to prevent from artificial damage resistant.

The H100 series Weatherproof Telephones are designed for use by the highway, railways, power stations, the armed services and heavy industry which require very reliable telephony under adverse conditions.

FEATURE:

- Standard VoIP-SIP phone
- Aluminum alloy die - casting body
- Vandal resistant metal button
- Hands free operation
- One button for emergency call
- With Led beacon on top
- Weather proof protection to IP66-IP67
- Wall mounting, simple installation
- External power supply or PoE (SIP-VoIP)
- RJ45 port for SIP phone
- CE,FCC,ROSH,IP67,ISO9001 compliant

Weatherproof Telephone

SPECIFICATIONS:

SIP-VoIP TECHNICAL SPECIFICATIONS

Power Input : 12-24V DC
Port : WAN : 10/100Base-T RJ-45 for LAN, Auto MDIX
LAN: 10/100Base-T RJ-45 for PC, Auto MDIX
Power Consumption : Idle: 1.5W/ Active: 1.8W

VOICE FEATURES

- Support SIP 2.0 (RFC3261)
- Codec: G.711A/u, G.7231 high/low, G.729, G.722
- Echo cancellation: Support G.168 and hand-free can support 96ms
- Supports full duplex
- SIP support SIP domain, SIP authentication(none, basic,MD5), DNS name of server
- DTMF: SIP info, DTMF Relay, RFC2833
- Call control features: Flexible dial map, support hot-line

NETWORK FEATURES

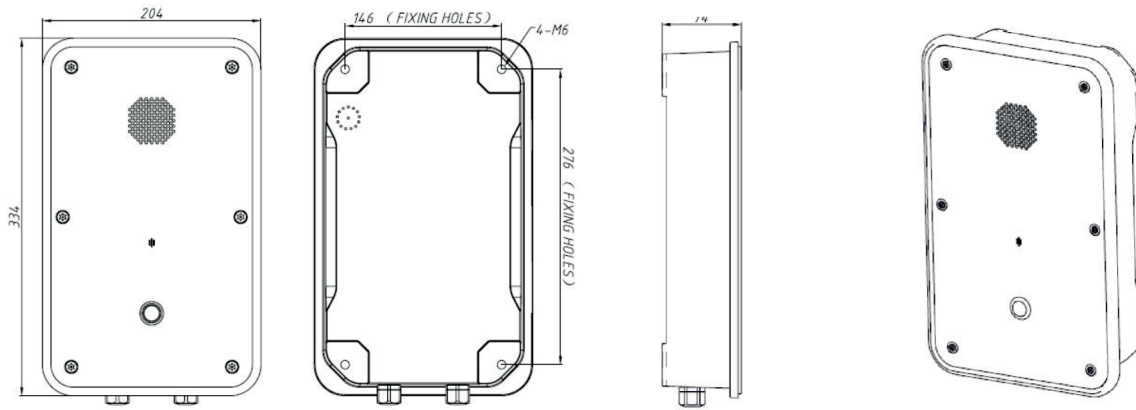
- WAN/LAN: support Bridge mode
- Support static IP address
- Support DHCP get IP on WAN port
- Support VLAN
- Support web config
- Data Protocols: IPv4, TCP, UDP, ICMP, ARP, DNS, SNMP and DNS SRV for SIP Signaling

TECHNICAL SPECIFICATIONS

Casing Material : Die cast aluminum body, cold rolled steel panceplate epoxy powder coated
Colors : yellow, Yellow, other colors as demand
Push button : Vandal resistant stainless steel button
Speaker : Built-in waterproof speaker
Temperature : Operating: -40°C to +70°C , Storing: -45°C to +75°C
Weather Resistance : IP66-IP67
Ringling Tone : Shrill warble tone 90 dBA @ 1 metre typical
Optical Transceiver : Optional as demand
M.T.B.F. : Calculated to have an M.T.B.F. in excess of 50,000 hours using
Weight : Up to 5 kg depending on option
Frequency Response : 20Hz - 8KHz
Potential Free Contacts : 2 inputs and 2 outputs
Microphone Sensitivity : -24 dB to +12dB adjustable
Inbuilt Amplifier : 25W
Speaker Max. SPL : <115dB

Weatherproof Telephone

DIMENSIONS:



(Measured in mm)

APPROVALS



This mark indicates compliance with the:
Radio & Telecommunications Terminal Equipment
Directive
2004/108/EC



This mark indicates compliance with the:
FCC Part 15 Subpart B Class B