

# FACE PLATE SPECIFICATIONS

FPD-W



## APPLICATION

For voice and data applications outside of Germany, HEINRICH Series wallplates offer the convenience and flexibility of QuickPort connectivity for British Standard electrical boxes. Excella QuickPort wallplates are compatible with all HEINRICH QuickPort connectors; choose from category-rated UTP, shielded, A/V, or fiber connectors. Wallplates are available in 1-, 2-, and 4-port flat as well as 1- and 2-port angled designs. Connectors sold separately.

All Excella wallplates feature overall dimensions of 86mm x 86mm and a mounting hole distance of 60.3 mm. They are designed for installation in electrical boxes conforming to British Standards BS 4662 for flush-mount electrical boxes and BS 5733 for surface mount electrical boxes. Optional frames available in 8 colors.

## SPECIFICATION

The wallplate housing shall be a one-piece, single-gang flush mount style that is compatible with British Standard openings. It shall provide 1-, 2-, or 4-ports in a flat design, as well as 1- and 2-ports in an angled design to facilitate optimal cable management. Must be able to accept all HEINRICH UTP, Fiber, or AV QuickPort modules. It must be made of high-impact, fire-retardant plastic rated UL 94V-0 and compliant with TIA/EIA-568-B specifications.

## FEATURES

- Available in 1-, 2-, and 4-port flat and 1- and 2-port angled configurations
- Designation windows included for all 1- and 2-port wallplates
- 86 mm x 86 mm size conforms to BS 4662 and BS 5733 electrical box standards
- Optional colored frames available as accessories.
- Colored wallplate frames sold separately, QuickPort inserts not included
- Angled ports facilitate optimal cable management, ensuring proper bend radius compliance in front and back of connector
- Compatible with all individual UTP, Fiber, and AV QuickPort modules\*
- Individual-port configurability allows specification flexibility

\* Due to product dimensions, Shielded Connectors are not compatible with 4-port flat and 1- and 2-port angled Excella Wallplates.

## DESIGN CONSIDERATIONS

- Fits Standard single-gang backboxes.
- For future expansion, install blanks (PN# 41084-B\*B) in unused ports.
- Specify port identification method (colored modules and designation labels). To ID ports, use different colored jacks for each application (full selection of TIA/EIA-606 compatible colors, 14 available), or HEINRICH pre-printed adhesive Port Designation Labels. (PN#: 41080-LEB)

## STANDARDS COMPLIANCE

Meets or exceeds all applicable standards:

- UL 94V-0 flammability rating
- Complies with TIA/EIA-568-B

## PHYSICAL SPECIFICATIONS

### Dimensions:

Flat - 86mm H x 86mm W x 9.1mm D (3.39" x 3.39" x .39") Angled - 86mm H x 86mm W x 21.9mm D (3.39" x 3.39" x .86")

**Capacity:** Available in 1-, 2-, and 4-port versions

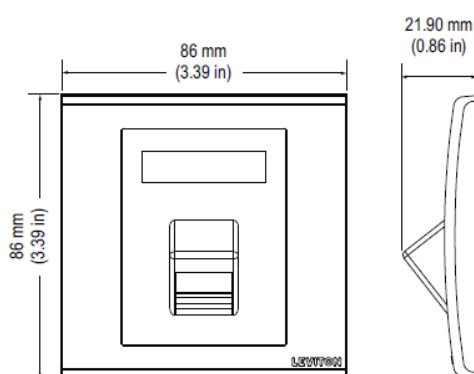
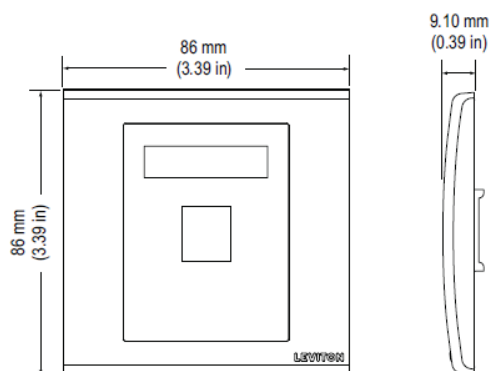
**Materials:** High-impact, fire-retardant plastic rated UL 94V-0

**Mounting:** Screws concealed after installation of faceplate

# FACE PLATE SPECIFICATIONS

HL186-PxW HL186-AxW HL000-00W HLWP1-xxx

FPD-W



## PART NUMBERS

Wallplate Assemblies	Part No.
QP wallplate, 1-port (empty)	HL186-P1W
QP wallplate, 2-port (empty)	HL186-P2W
QP wallplate, 4-port (empty)	HL186-P4W
QP Angled wallplate, 1-port (empty)	HL186-A1W
QP Angled wallplate, 2-port (empty)	HL186-A2W
Blank Wallplate	HL000-00W
Colored Wallplate Frames	Part No.
Wallplate frame, pearl yellow	HLWP1-PEY
Wallplate frame, piano black	HLWP1-PIB
Wallplate frame, glossy silver	HLWP1-GSS
Wallplate frame, champaign	HLWP1-CHG
Wallplate frame, navy blue	HLWP1-NVB
Wallplate frame, metallic green	HLWP1-MEG
Wallplate frame, hot pink	HLWP1-HTP
Wallplate frame, sky blue	HLWP1-SKB