

# I/O SPECIFICATIONS

## Cat 6 UTP Connector

1G610-X



### APPLICATION

HEINRICH Cat 6 UTP products are designed to support all 1000Base-T network requirements. The HEINRICH Cat 6 connectors meet all TIA-568-C.2 requirements up to 250 MHz. This makes the connector part of a complete Cat 6 UTP system.

### SPECIFICATION

The Cat 6 connector shall allow wire termination by use of a traditional punchdown impact tool. The wiring color code shall support both H568A and H568B wiring schemes and be displayed on a label on the connector. The connector body shall be made of fire-retardant plastic with a flammability rating of UL 94V-0. The connector shall be compliant with TIA-568-C.2 and FCC part 68 requirements and be cULus listed.

### FEATURES

- Supports all Ethernet network performance up to 1000Base-T (Gigabit Ethernet)
- Different color connectors can be used to ID different applications

### DESIGN CONSIDERATIONS

- Use in any QuickPort solutions support Cat 6 connectivity in patch panels, faceplates and surface mount boxes.

### STANDARDS COMPLIANCE

Connector is part of a complete Cat 6 UTP solution that meets all:

- TIA-568-C.2 Cat 6
- IEEE 802.3ab for 1000Base-T (Gigabit Ethernet)
- FCC Part 68
- cULus Listed

### PHYSICAL SPECIFICATIONS

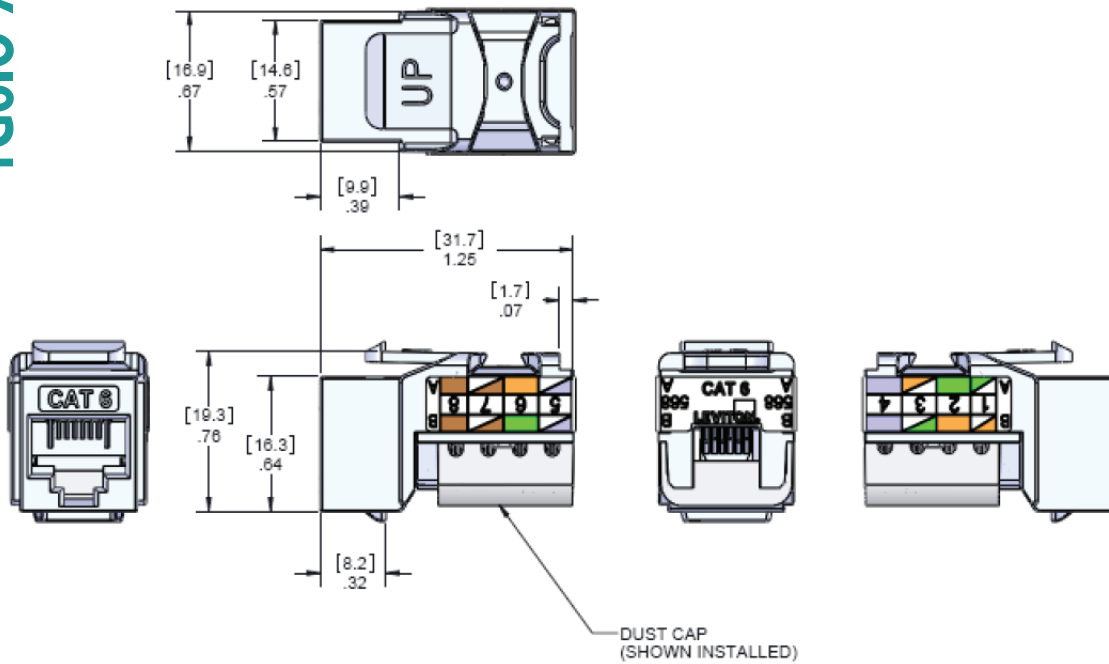
**Dimensions:** 58" H x .63"W x 1.18" D

**Materials:** Connector body is high-impact fire-retardant plastic, rated UL 94V-0. Spring wire contacts are high-quality phosphor bronze, plated with 50 micro-inches of gold over 100 micro-inches of nickel for lowest contact resistance and maximum life.

Connector 110-style IDC contacts are solder-plated phosphor bronze.

# FACE PLATE SPECIFICATIONS

1G6IO-X



## PART NUMBERS

Description	Part No.
Cat 6 UTP Connector, Blue, bulk pack of 500 connectors	1G6IO-XL6
Cat 6 UTP Connector, Ivory, bulk pack of 500 connectors	1G6IO-XI6
Cat 6 UTP Connector, Orange, bulk pack of 500 connectors	1GSIO-XO6
Cat 6 UTP Connector, White, bulk pack of 500 connectors	IGSIO-XW6
Cat 6 UTP Connector, Black, bulk pack of 500 connectors	1GSIO-XE6