

The High-end Outdoor Radio Speaker

WMO-60/TW

WMO-60/T



Features

Built-in 100v/70v transformer

Wall mount type loudspeaker

6" +1.5" two ways speaker unit

RMS 60W @100V

Metal grille, ABS enclosure and stainless mounting bracket for water resistance

Description

HEINRICH all speakers support EASE, CATT, ULYSSES models for acoustic studies. This means the acoustic model can be designed to simulate the sound quality and distribution prior to installation All HEINRICH loudspeaker, have undergone trough testing procedure to ensure that all products compliance with LOW VOLTAGE DIRECTIVE (BS EN 60065, 2003) and EMC (BS EN 61000-6-Part 1/2/3/4).

The WMO-60/T is a wall mount speaker built-in 70v/100v transformer. The 70v/100v transformer technique reduces line losses on longer distance and allows easy parallel connection of multiple loudspeakers.

The built-in 6" +1.5" two ways speaker driver is designed of wide frequency response 60-20KHz, the RMS 60W power outputs are suitable for most of the outdoor and indoor applications.

The ABS grille, ABS enclosure and stainless mounting bracket are of black/White color. Easy and secure wall mount installation through the supplied mounting bracket.

The System shall be for indoor and out door applications and shall have a water resistance IP 66 rating along with terminal boot and connectors

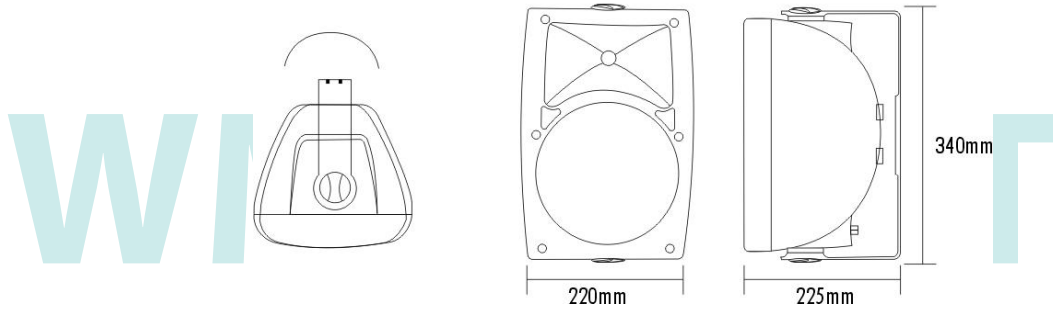
Specifications

Model	WMO-60/TW
Rated power(100V)	60W
Maximum power	120W
Sensitivity	92dB
Impedance	166Ω
Frequency response	60-20KHz
Material	plastic
Speaker unit	6" x 1 1.5" x 1
IP Rating	IP66
Size	340 x 220 x 225mm
Weight	4.6Kg

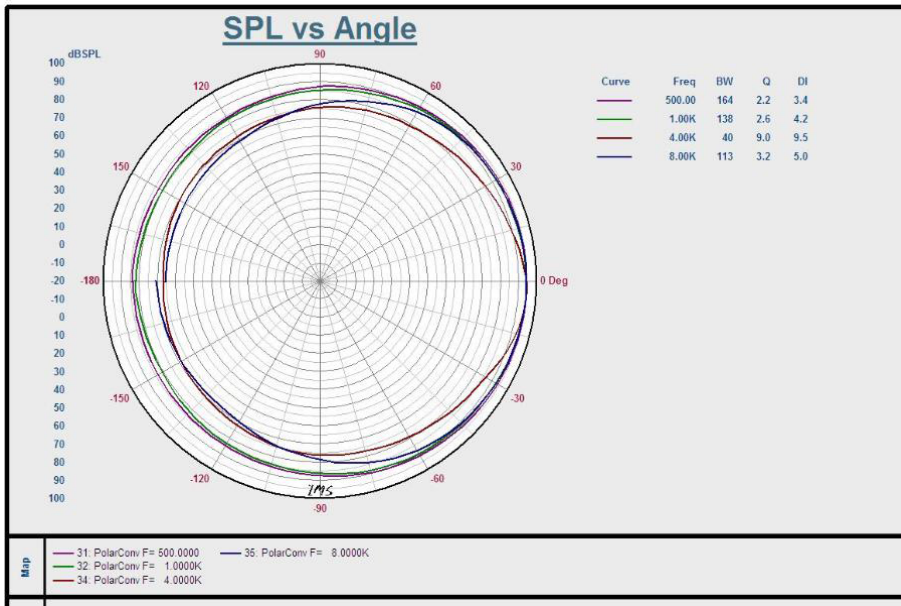
The High-end Outdoor Radio Speaker

WMO-60/TW

Appearance:



Direction Diagram:



Frequency Response

